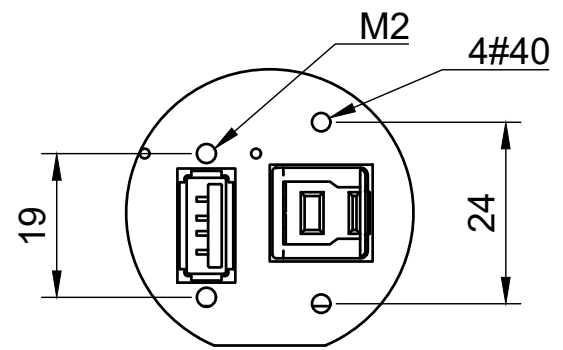
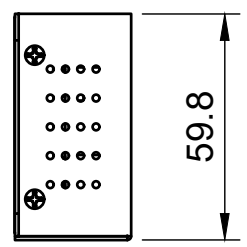
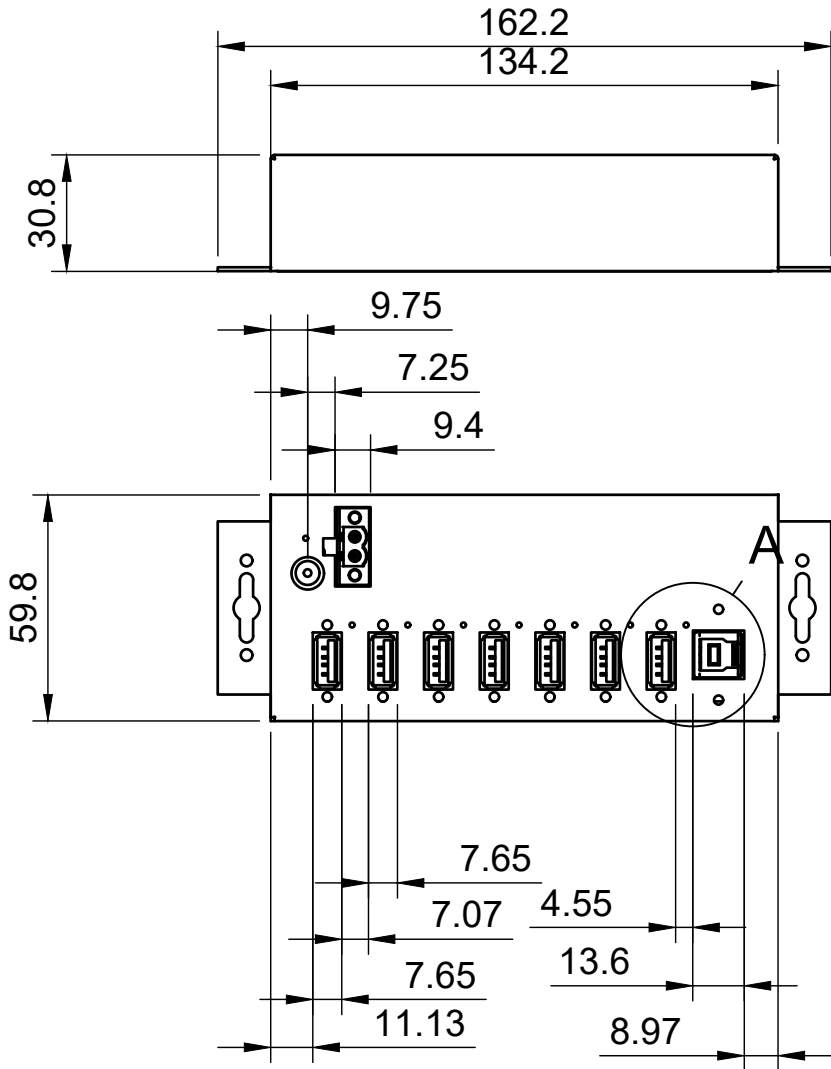



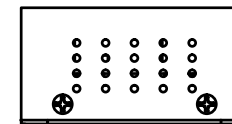
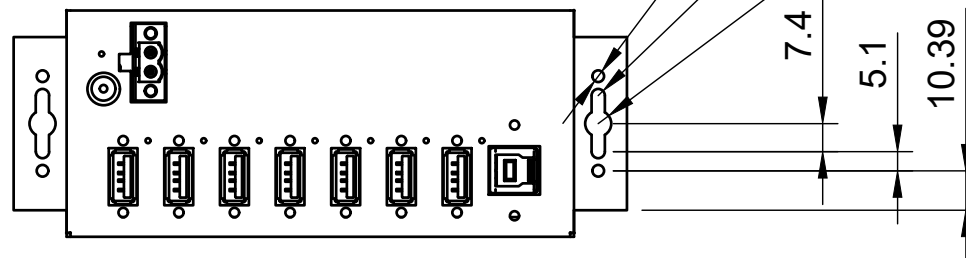
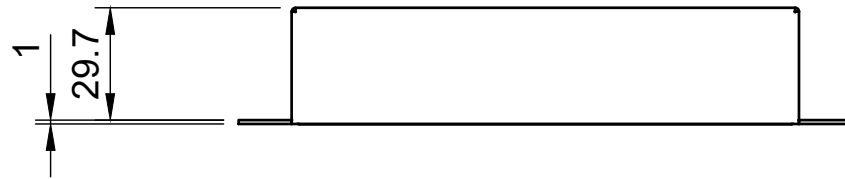
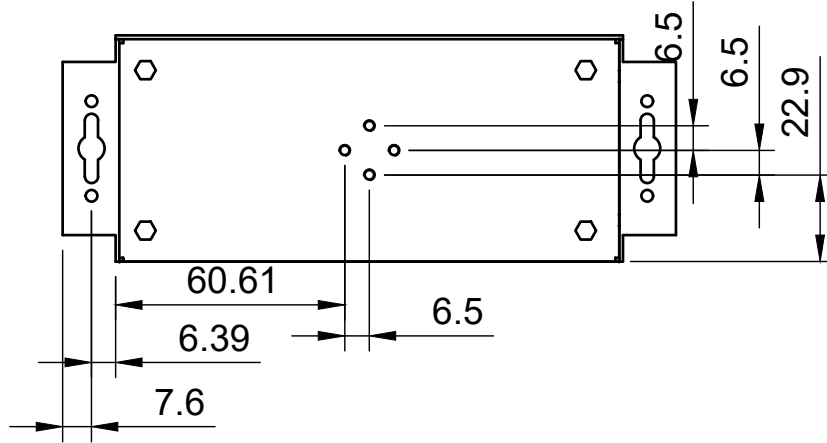
Basic Measurements
 Port Detailed
 Locking Screws Detailed




A (1:1)

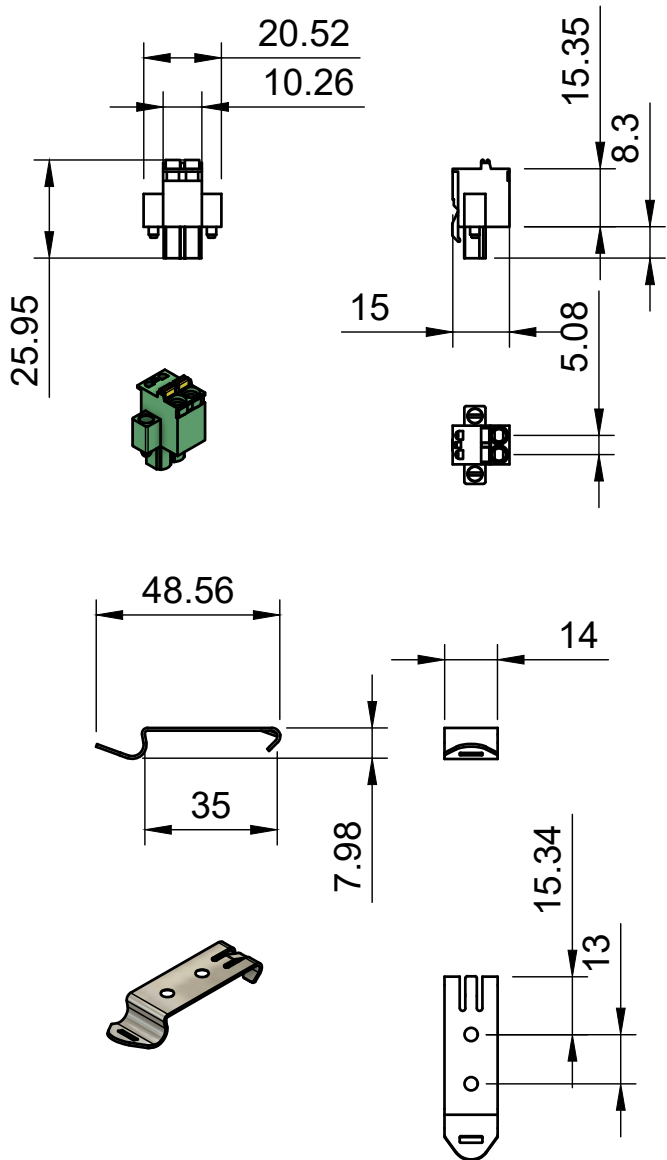
		Model #:	
		CG-7PU3MGD	
Drawn by: Leo Pinto		Scale: 1:2	Units: mm
Drawn Date: 4/15/2021		Tolerance: +/- 0.15mm	
Notes:		Contact: support@coolgear.com	
		Web: coolgear.com	
		A4	1/3

Mounting Holes

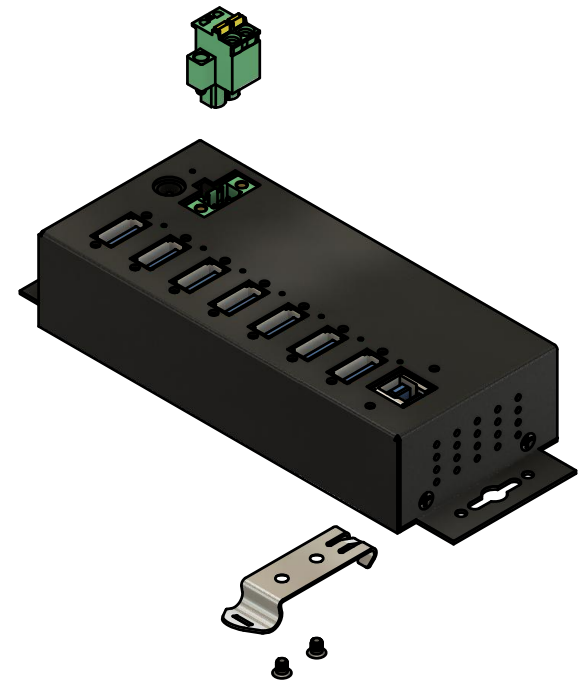



		Model #:	
		CG-7PU3MGD	
Drawn by: Leo Pinto		Scale: 1:2	Units: mm
Drawn Date: 4/15/2021		Tolerance: +/- 0.15mm	
Notes:		Contact: support@coolgear.com	
		Web: coolgear.com	
		A4	2/3

Accessories



Exploded View



		Model #:	
		CG-7PU3MGD	
Drawn by: Leo Pinto		Scale: 1:2	Units: mm
Drawn Date: 4/15/2021		Tolerance: +/- 0.15mm	
Notes:		Contact: support@coolgear.com	
		Web: coolgear.com	
		A4	3/3