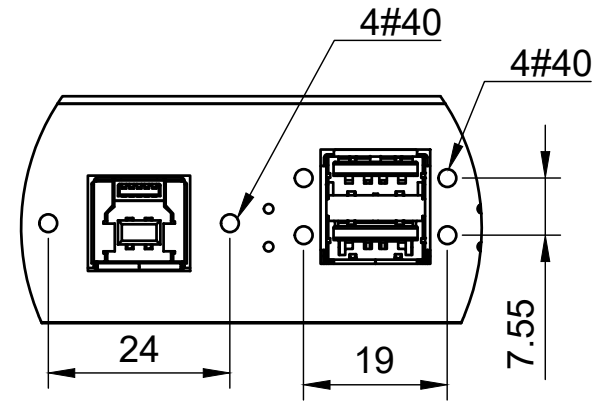
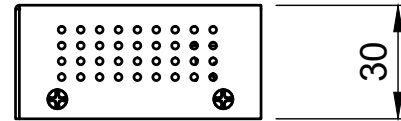
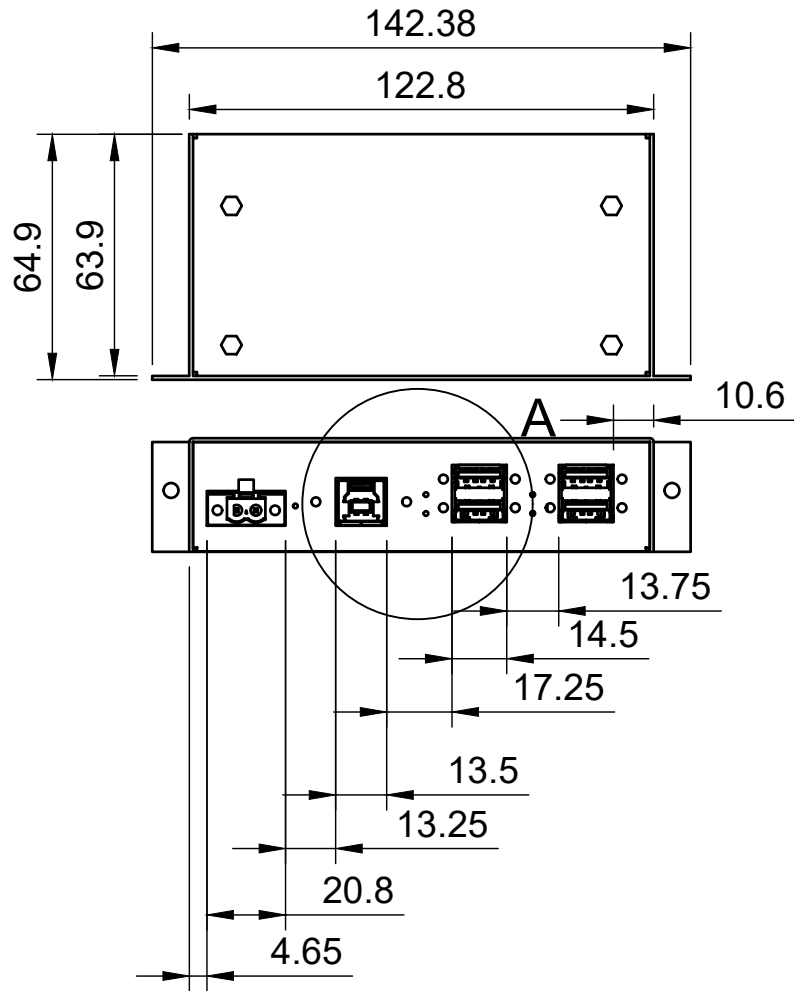



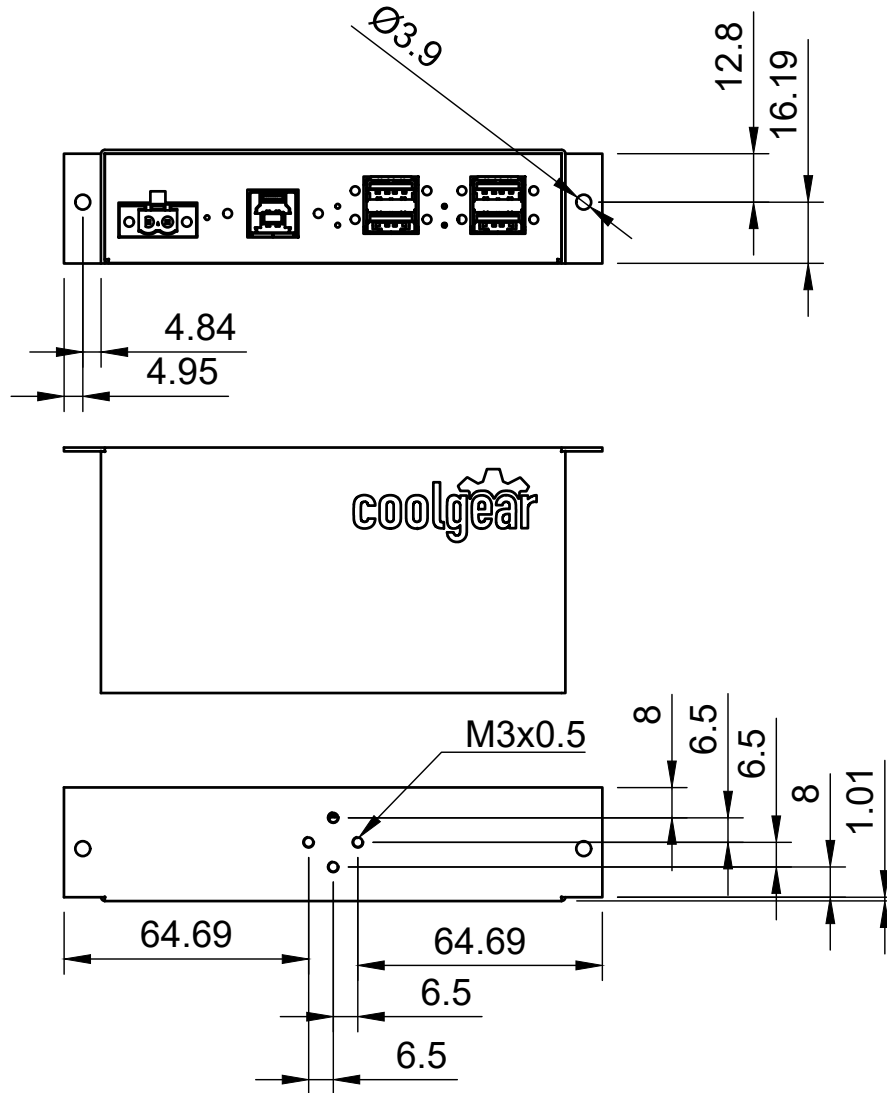
Basic Measurements
Detailed Ports




A (1:1)

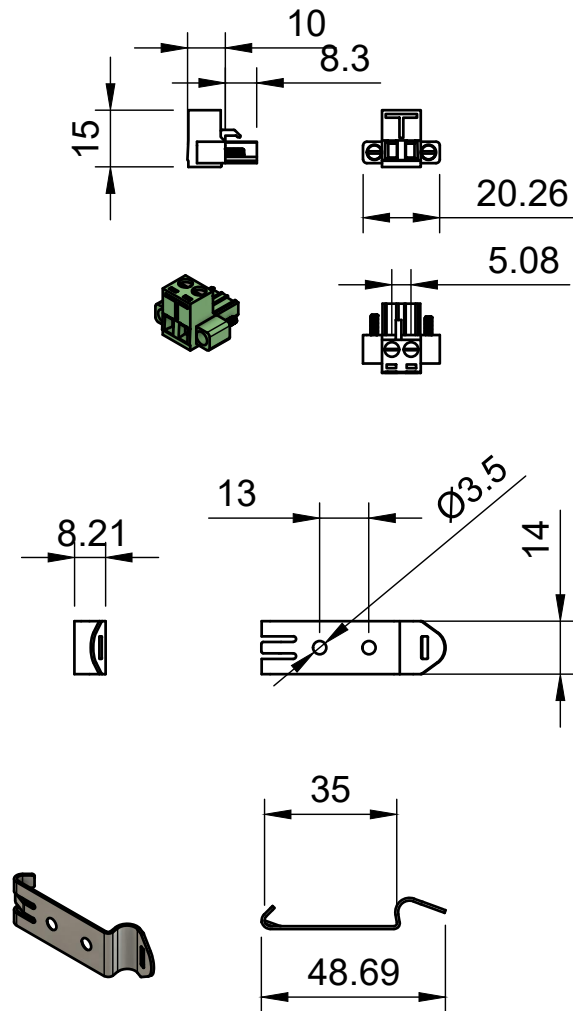
		Model #:	
		CG-4PU3MGD	
Drawn by: Leo Pinto		Scale: 1:2	Units: mm
Drawn Date: 4/21/2021		Tolerance: +/- 0.15mm	
Notes:		Contact: support@coolgear.com	
		Web: coolgear.com	
		A4	1/3

Mounting Holes

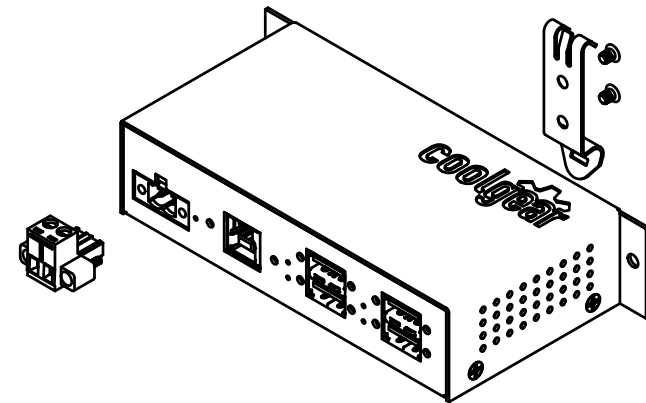



		Model #: CG-4PU3MGD
Drawn by: Leo Pinto	Scale: 1:2	Units: mm
Drawn Date: 4/21/2021	Tolerance: +/- 0.15mm	
Notes:	Contact: support@coolgear.com	
	Web: coolgear.com	
	A4	2/3

Accessories



Exploded View



		Model #:	
		CG-4PU3MGD	
Drawn by: Leo Pinto		Scale: 1:2	Units: mm
Drawn Date: 4/21/2021		Tolerance: +/- 0.15mm	
Notes:		Contact: support@coolgear.com	
		Web: coolgear.com	
		A4	3/3