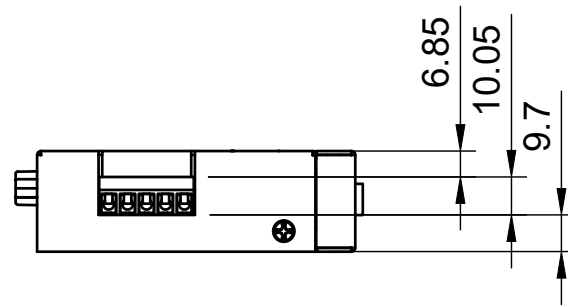
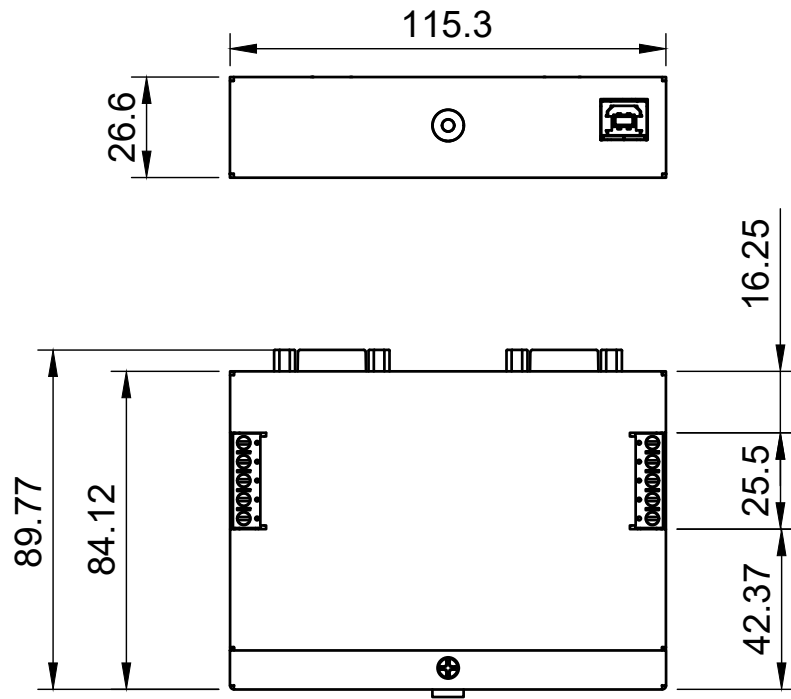

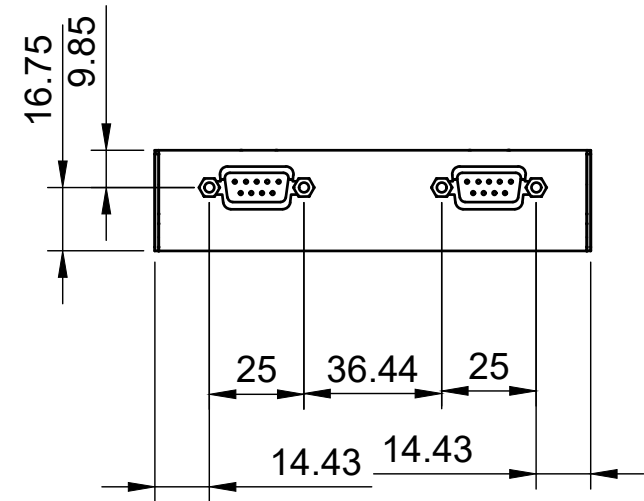
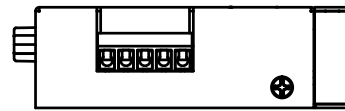
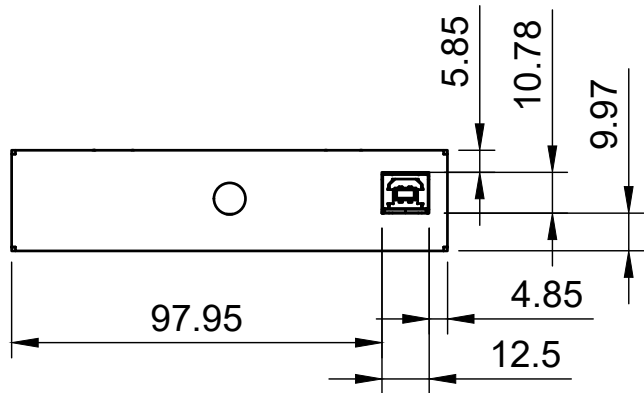



Basic Measurements  
Terminals



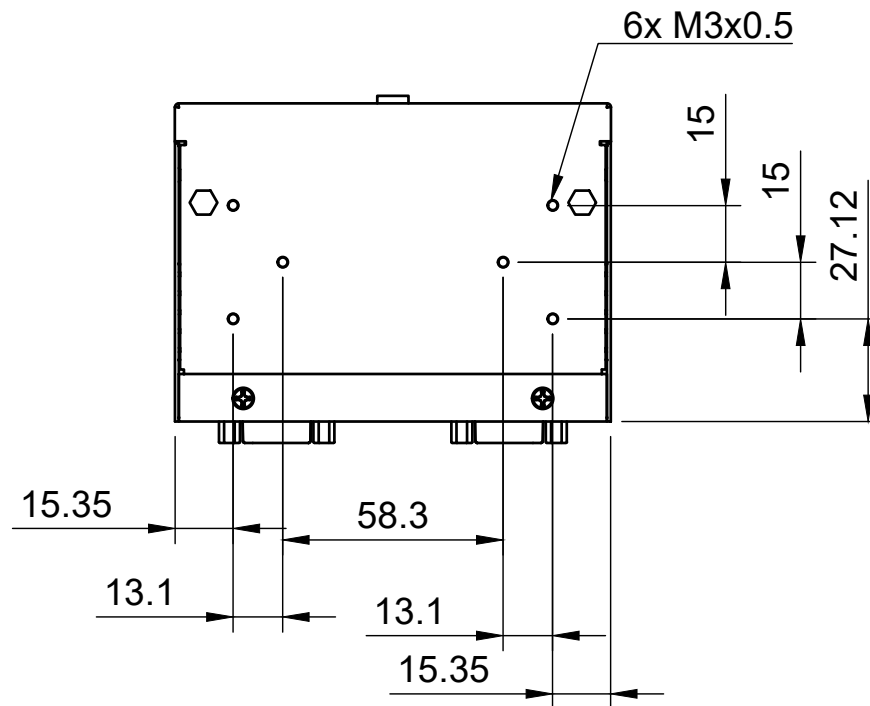
		Model #:	
		USB-2COMi PRO	
Drawn by: Leo Pinto	Scale: 1:2	Units: mm	
Drawn Date: 11/12/21	Tolerance: +/- 0.15mm		
Notes:	Contact: support@coolgear.com		
	Web: coolgear.com		
	A4	1/4	


# Port Detailed



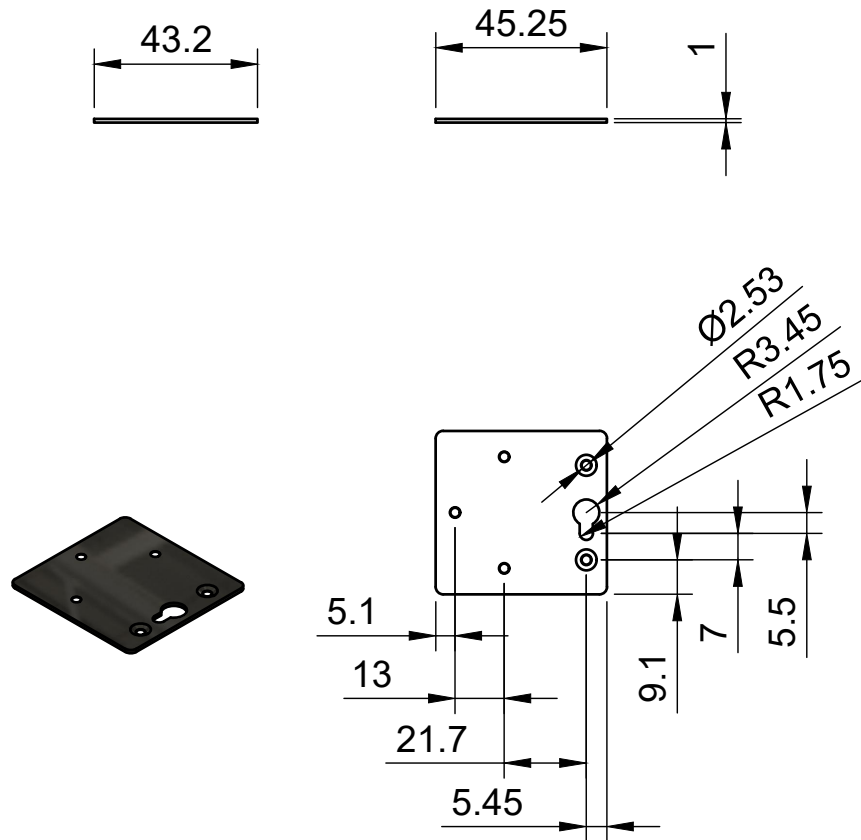
	Model #:	
	USB-2COMi PRO	
Drawn by: Leo Pinto	Scale: 1:2	Units: mm
Drawn Date: 11/12/21	Tolerance: +/- 0.15mm	
Notes:	Contact: support@coolgear.com	
	Web: coolgear.com	
	A4	2/4

# Mounting holes




		Model #:	
		USB-2COMi PRO	
Drawn by: Leo Pinto		Scale: 1:2	Units: mm
Drawn Date: 11/12/21		Tolerance: +/- 0.15mm	
Notes:		Contact: support@coolgear.com	
		Web: coolgear.com	
		A4	3/4

## Accessories



## Exploded View



		Model #:	
		USB-2COMi PRO	
Drawn by: Leo Pinto	Scale: 1:2	Units: mm	
Drawn Date: 11/12/21	Tolerance: +/- 0.15mm		
Notes:	Contact: support@coolgear.com		
	Web: coolgear.com		
	A4	4/4	