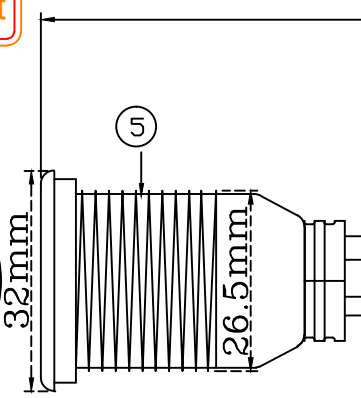
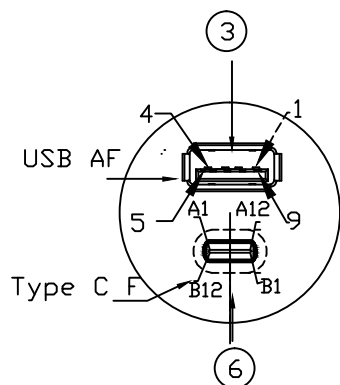


RoHS Compliant

915 mm ± 30mm

REV LTR	DATE	REV. DIMENSION	DESIGN	APPROVE
△	2017.3.20	NEW DRAWING	Alvin	

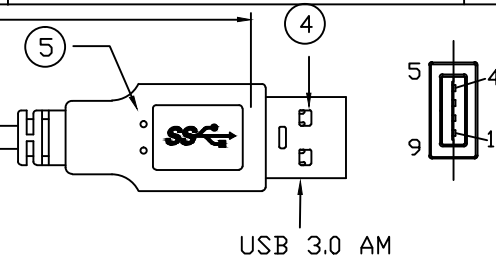


Pin Assignment

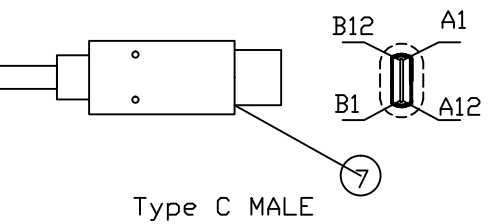
TYPE C F	Type c male	
A1 B1 A12 B12	A1 B1 A12 B12	-BLACK
电容 (10nF 0402)	电容 (10nF 0402)	
A4 B4 A9 B9	A4 B4 A9 B9	-RED
A5	A5	橙
A6	A6	UTP_D+ GREEN
A7	A7	UTP_D- WHITE
A2	A2	SDPP1-ORANGE
A3	A3	SDPN1-PURPLE
B11	B11	SDPP2-YELLOW
B10	B10	SDPN2-BLUE
B5	B5	棕
SHELL	SHELL	

ELECTRICAL PROPERTIES:

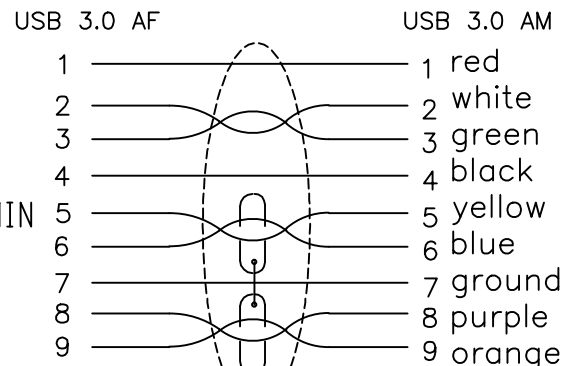
- 1 Contact Resistance: 3 ohm MAX
- 2 Insulation Resistance: 5Mega ohm MIN
- 3 Hi-Pot: 300V DC/10ms



USB 3.0 AM



Type C MALE



SHELL ———— SHELL braided

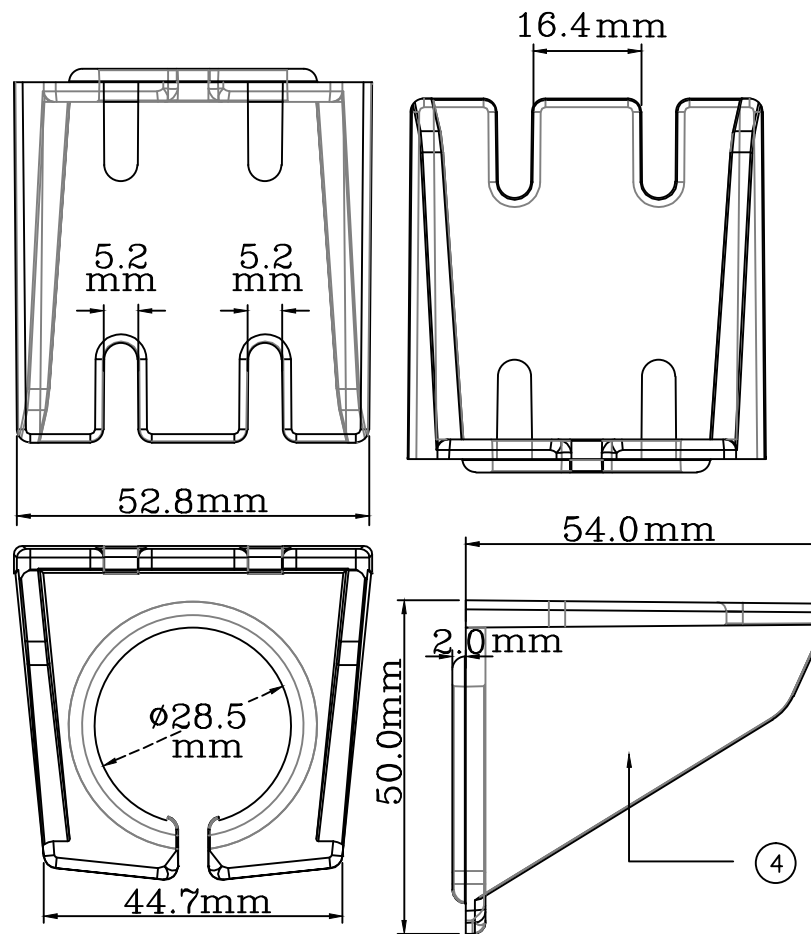
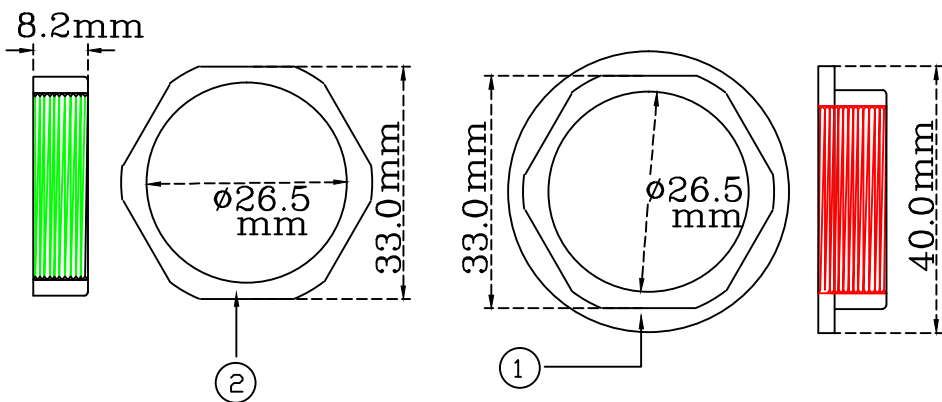
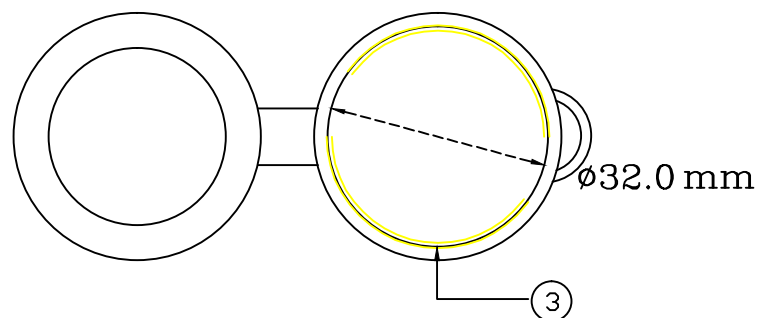
www.coolgear.com

coolgear		DESCRIPTION	USB 3.0 & TYPE C (3.0 STANDARD)		
		PART No.	CG-USB3PXAC-3ft		
DRAW	Alvin	DWG. No.		REV.	A
CHECK		DATE	2017.3.20	SCALE	NONE
APP.		SIZE	A4	UNIT	mm
		UNIT	mm	SHEET	1/2

⑦	TYPE C MALE (GOLD FALSH)	1
⑥	TYPE C FEMALE (GOLD FALSH)	1
⑤	PVC 45P COLOR:BLACK	9
④	USB 3.0 A TYPE MALE,CONTACT: GOLD FLASH.	1
③	USB 3.0 A FEMALE+METAL CAN ,CONTACT:GLOD FLASH.	1
②	(1P*30AWG+D+AL+MY)*2C+30AWG*1P+30AWG*2C+24AWG*2C)+AL+BD ADB OD:4.5mm PVC JACKET:BLACK USB 3.0	1
①	CABLE:(7/0.12TS*1P+7/0.10BS地+AL+透明麦拉)*2C+7/0.12TS*1P+7/0.20TS*2C+AL+7/0.16B地+96/0.12AM OD5.5 COLOR: BLACK	1
NO.	DESCRIPTION	Q'TY


RoHS Compliant

REV LTR	DATE	REV. DIMENSION	DESIGN	APPROVE
A	2018.03.15	NEW DRAWING	Jimmy	



④	Bracket ABS ,COLOR:Black	1
③	Waterproof cap PVC 45P COLOR:BLACK	1
②	Hexagon Nut PVC 45P COLOR:BLACK T=10.2mm	1
①	Hexagon Nut cap PVC 45P COLOR:BLACK T=8.2mm	1
NO.	DESCRIPTION	Q'TY

www.coolgear.com

		DESCRIPTION	ACCESSORIES(Waterproof Cap Nut and Bracket)		
		PART No.	ACCESSORIES		
DRAW	Jimmy	DWG. No.		REV.	A
CHECK		DATE	2019.03.15	SCALE	NONE
APP.		SIZE	A4	UNIT	mm
		SHEET			2/2