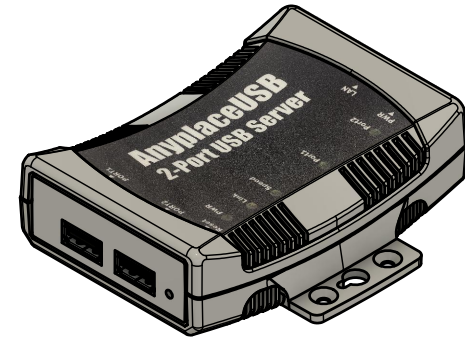
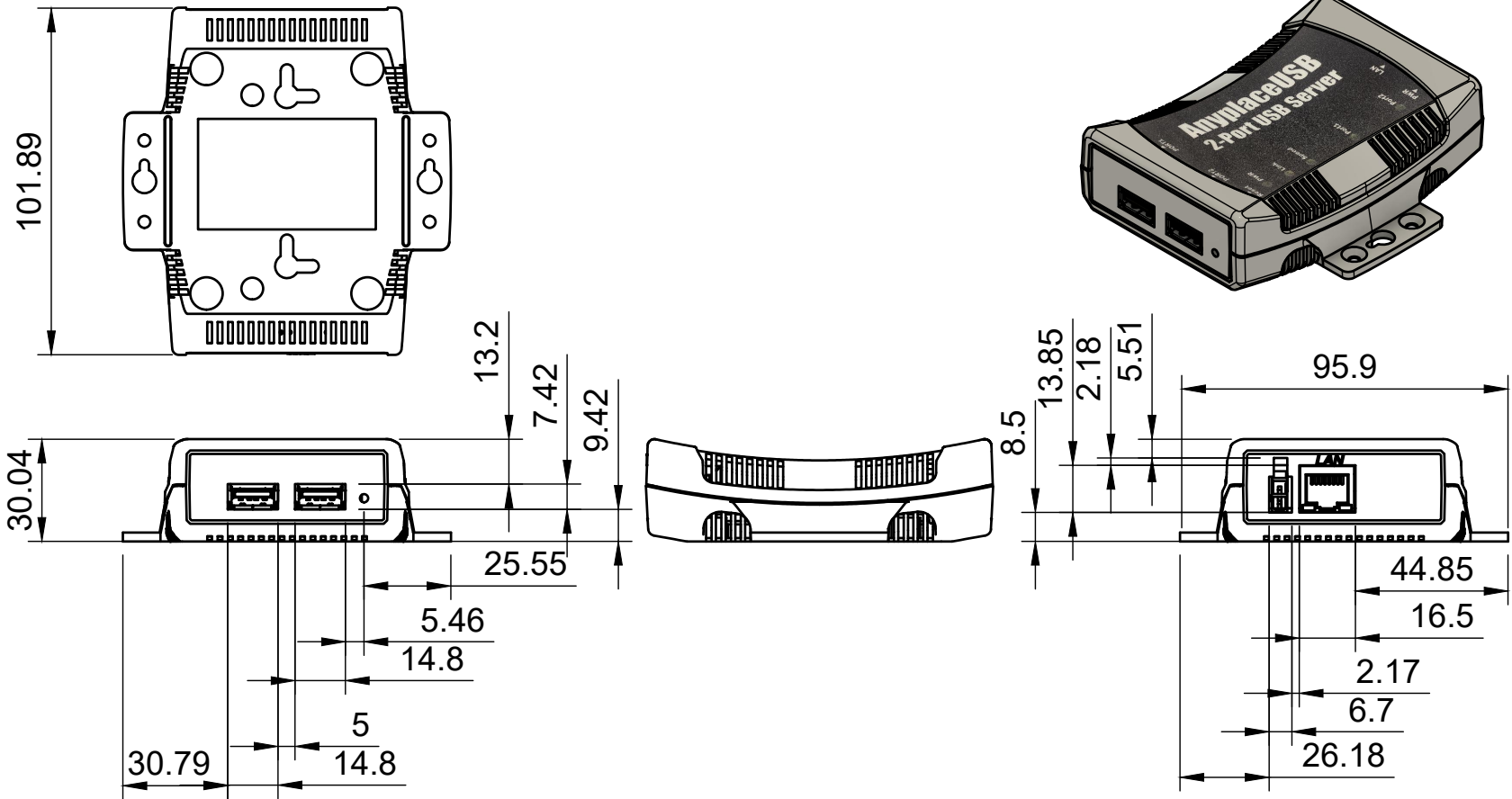



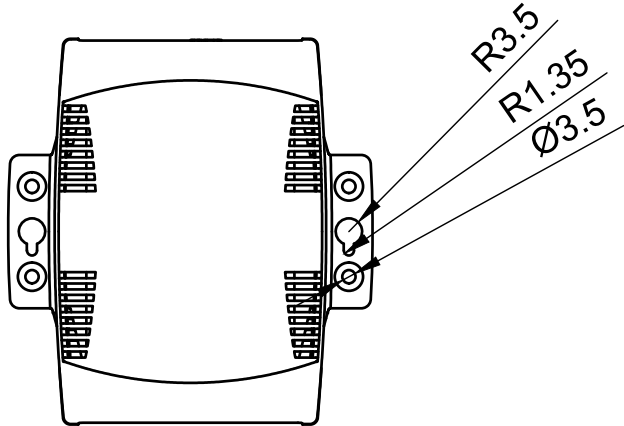
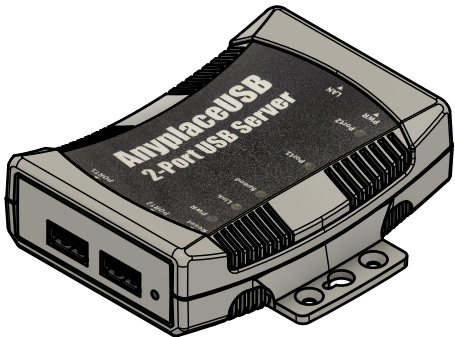
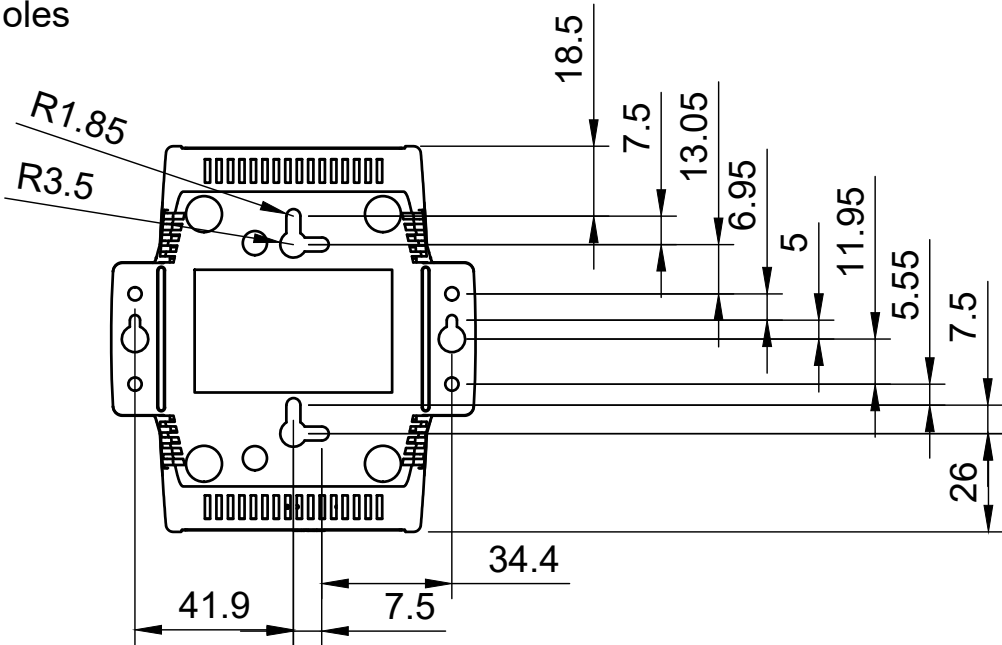
Basic Measurements


Port Detailed



		Model #:	
		AnyplaceUSB-S2	
Drawn by: Leo Pinto		Scale: 1:2	Units: mm
Drawn Date: 5/7/2021		Tolerance: +/- 0.15mm	
Notes:		Contact: support@coolgear.com	
		Web: coolgear.com	
		A4	1/2

Mounting Holes



		Model #:	
		AnyplaceUSB-S2	
Drawn by: Leo Pinto		Scale: 1:2	Units: mm
Drawn Date: 5/7/2021		Tolerance: +/- 0.15mm	
Notes:		Contact: support@coolgear.com	
		Web: coolgear.com	
		A4	2/2