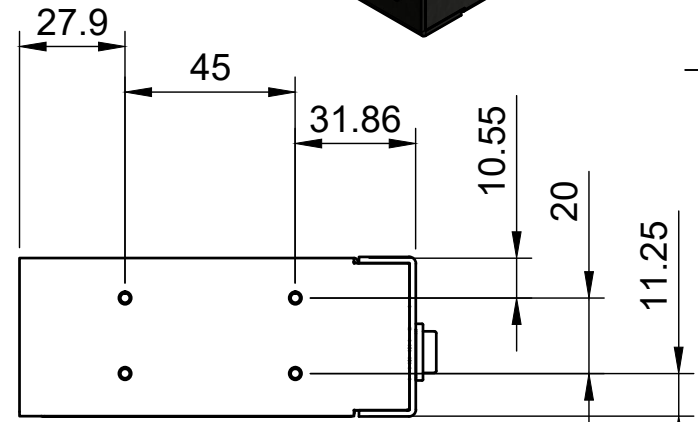
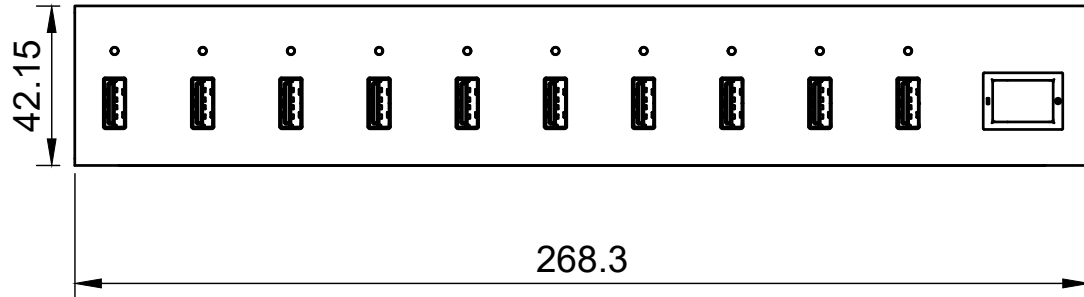
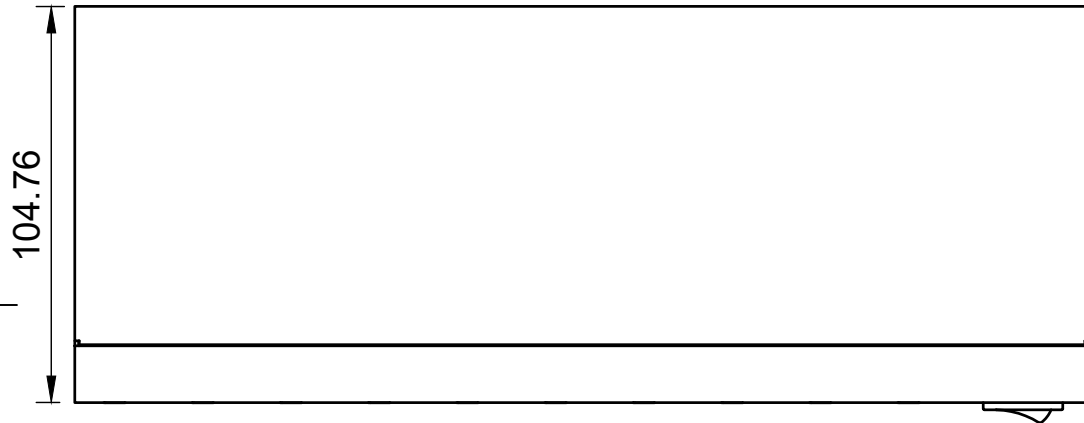
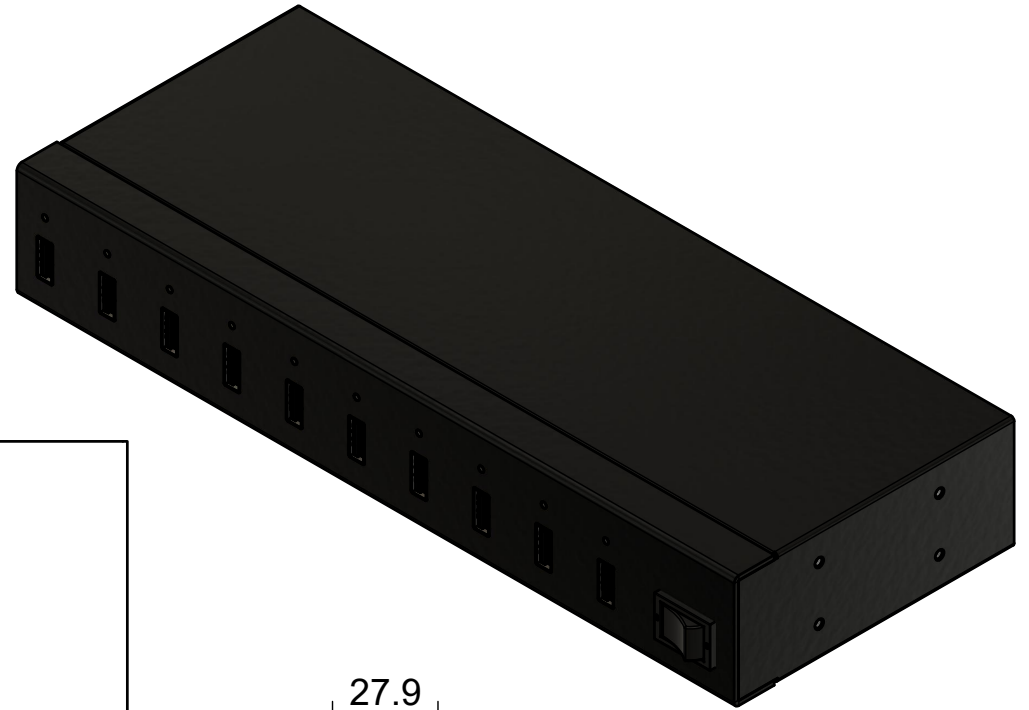

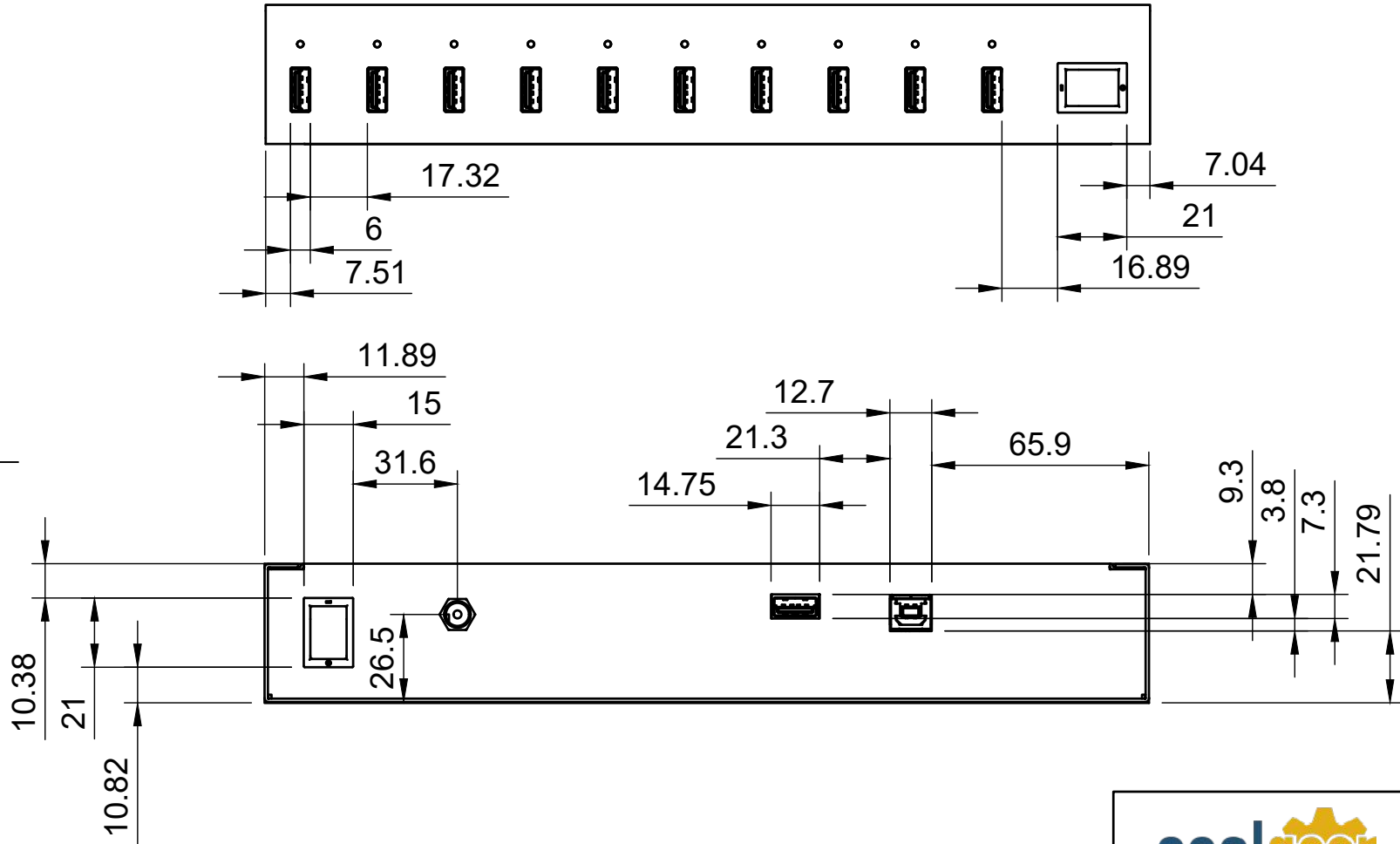



Basic Measurements
Mounting Holes



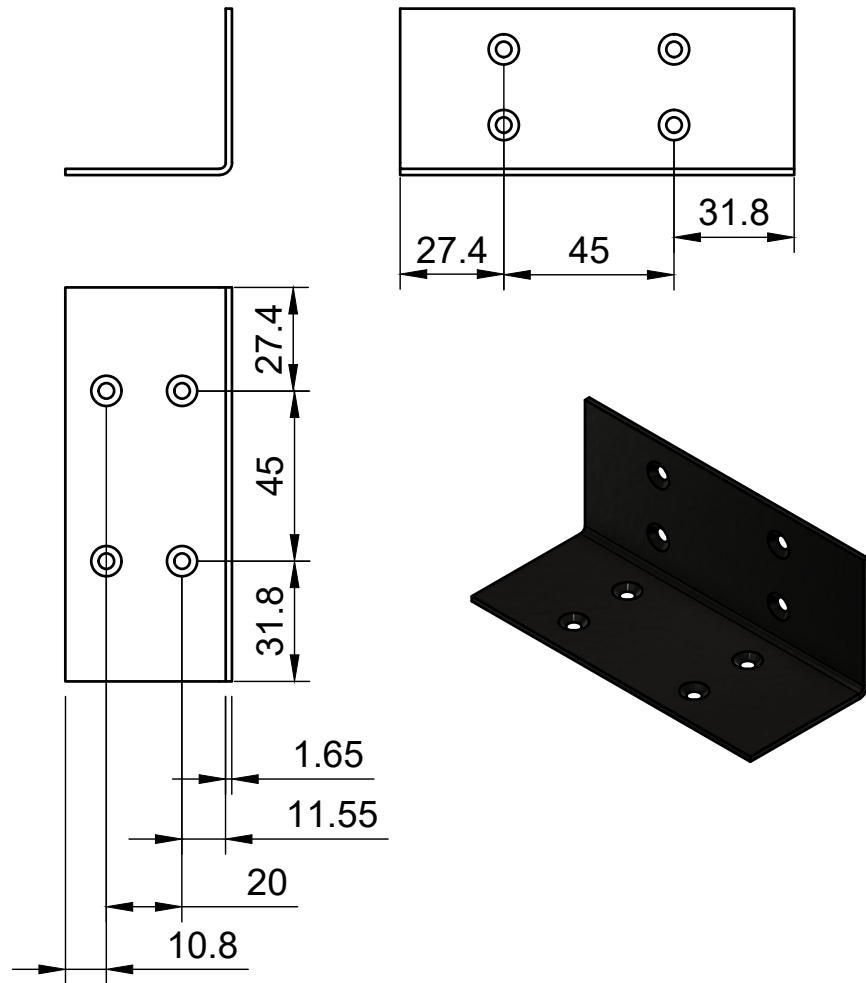
| | | | |
|---|--|-------------------------------|-----------|
|  | | Model #: | |
| | | USBG-10XU1 | |
| Drawn by: Leo Pinto | | Scale: 1:2 | Units: mm |
| Drawn Date: 4/28/2021 | | Tolerance: +/- 0.15mm | |
| Notes: | | Contact: support@coolgear.com | |
| | | Web: coolgear.com | |
| | | A4 | 1/3 |

Ports Detailed

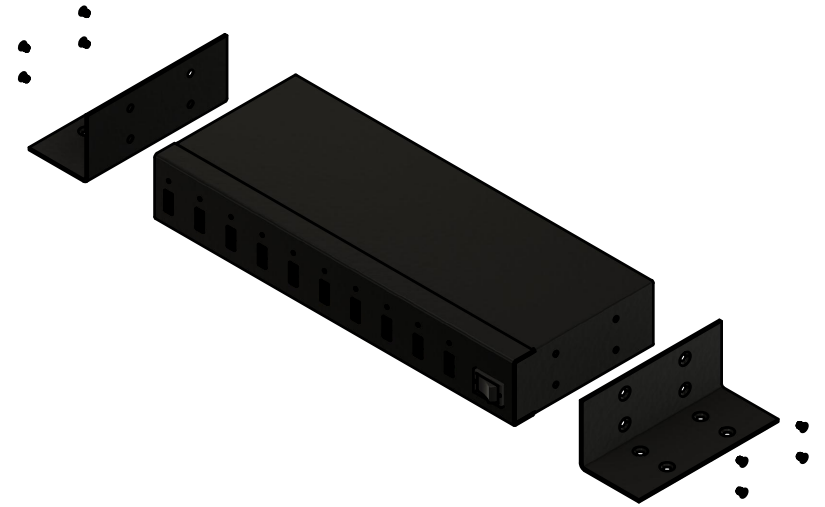



| | | | |
|---|--|-------------------------------|------------|
|  | | Model #: USBG-10XU1 | |
| | | Drawn by: Leo Pinto | Scale: 1:2 |
| Drawn Date: 4/28/2021 | | Tolerance: +/- 0.15mm | |
| Notes: | | Contact: support@coolgear.com | |
| | | Web: coolgear.com | |
| | | A4 | 2/3 |

Accessories
Scale 1:2



Exploded View
Scale 1:4



| | | | |
|---|--|-------------------------------|-----------|
|  | | Model #: | |
| | | USBG-10XU1 | |
| Drawn by: Leo Pinto | | Scale: 1:2 | Units: mm |
| Drawn Date: 4/28/2021 | | Tolerance: +/- 0.15mm | |
| Notes: | | Contact: support@coolgear.com | |
| | | Web: coolgear.com | |
| | | A4 | 3/3 |