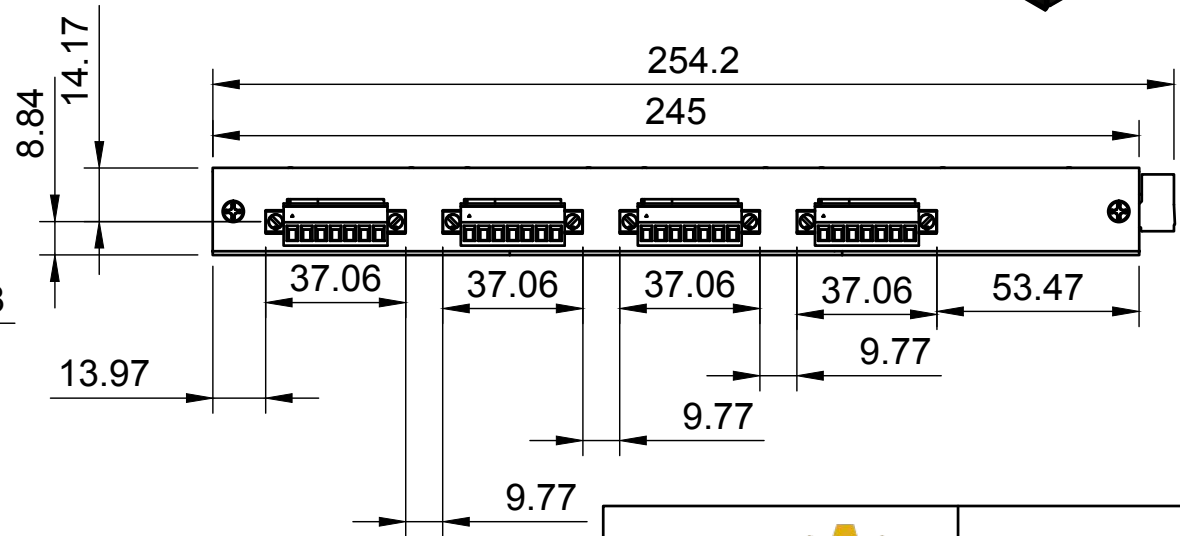
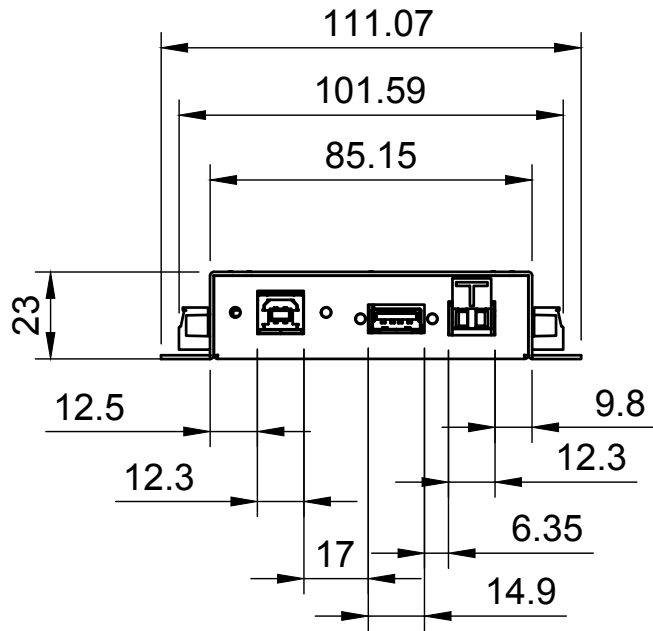

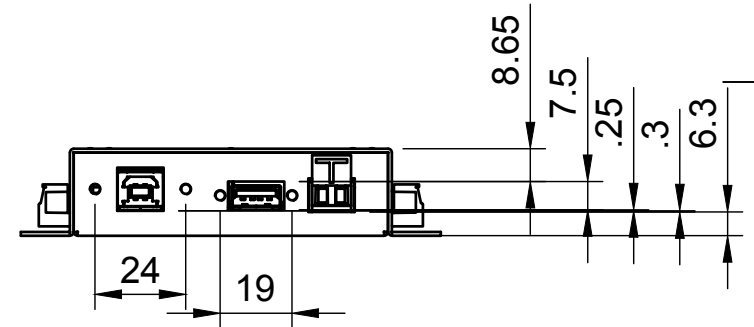
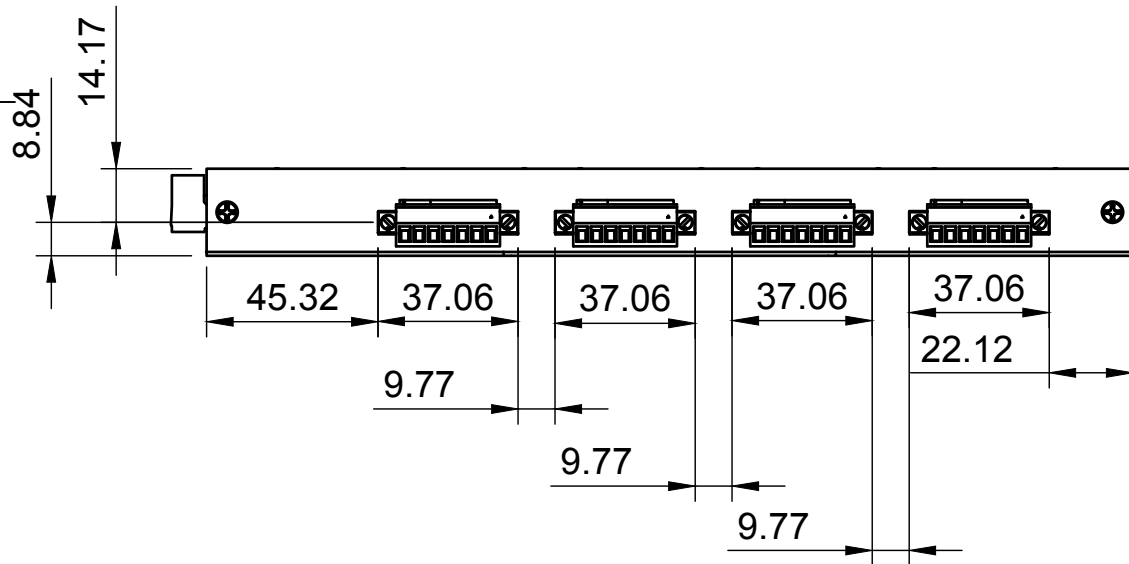



Basic Measurements
Port detailed



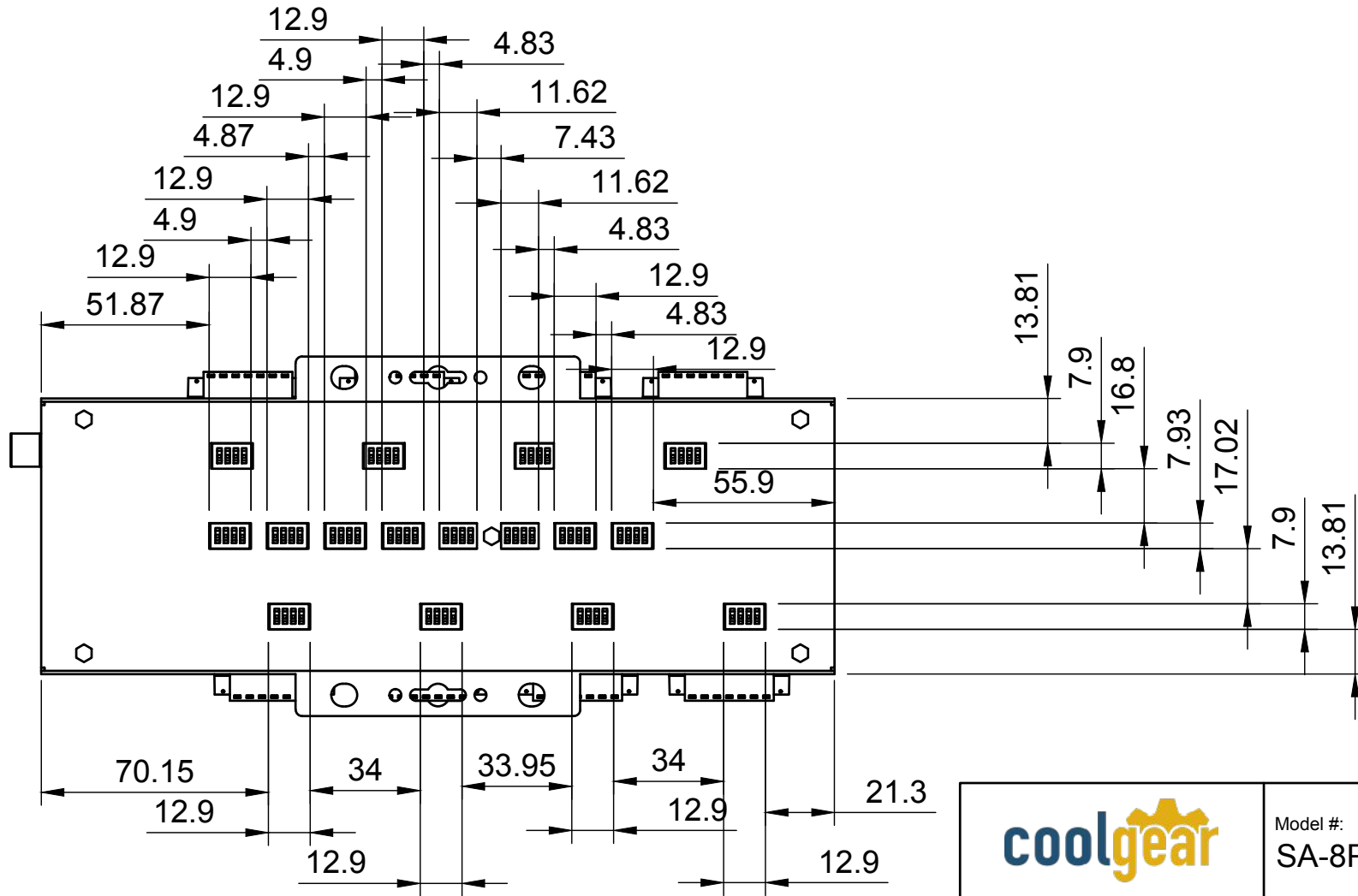
		Model #:	
		SA-8PXTB	
Drawn by: Leo Pinto		Scale: 1:2	Units: mm
Drawn Date: 7/16/2021		Tolerance: +/- 0.15mm	
Notes:		Contact: support@coolgear.com	
		Web: coolgear.com	
		A4	1/4


Port Detailed



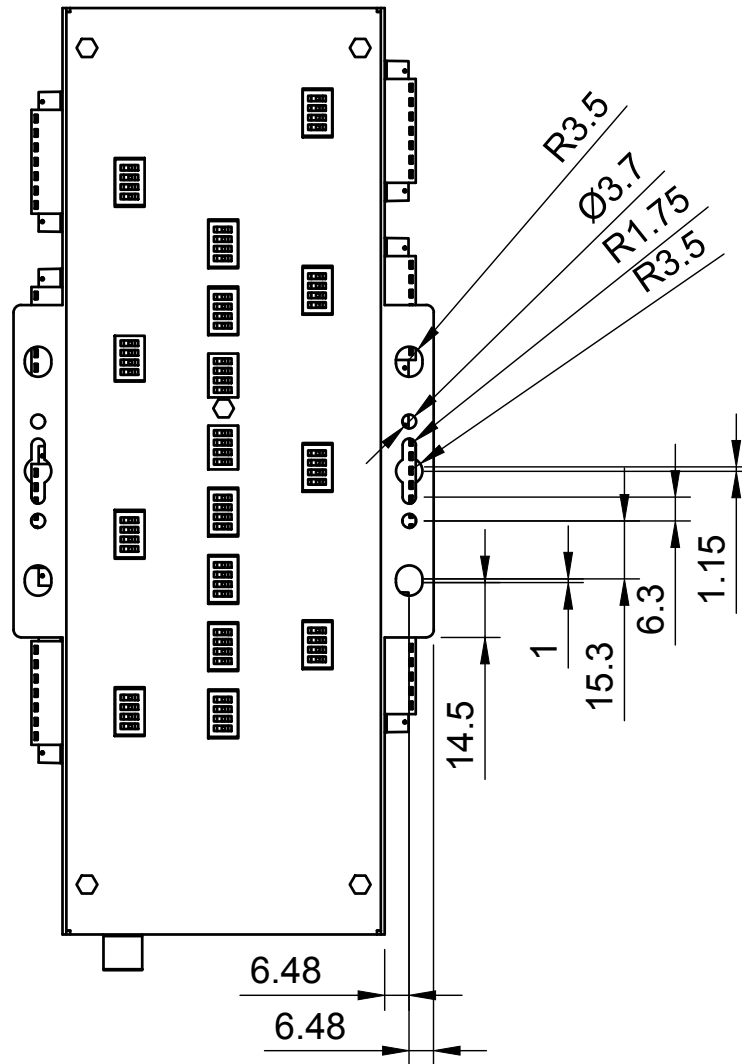
	Model #: SA-8PXTB	
	Drawn by: Leo Pinto	Scale: 1:2
Drawn Date: 7/16/2021	Tolerance: +/- 0.15mm	
Notes:	Contact: support@coolgear.com	
	Web: coolgear.com	
	A4	2/4


Terminators measurements



		Model #:	
		SA-8PXTB	
Drawn by: Leo Pinto		Scale: 1:2	Units: mm
Drawn Date: 7/16/2021		Tolerance: +/- 0.15mm	
Notes:		Contact: support@coolgear.com	
		Web: coolgear.com	
		A4	3/4

Mounting holes



		Model #:	
		SA-8PXTB	
Drawn by: Leo Pinto		Scale: 1:2	Units: mm
Drawn Date: 7/16/2021		Tolerance: +/- 0.15mm	
Notes:		Contact: support@coolgear.com	
		Web: coolgear.com	
		A4	4/4