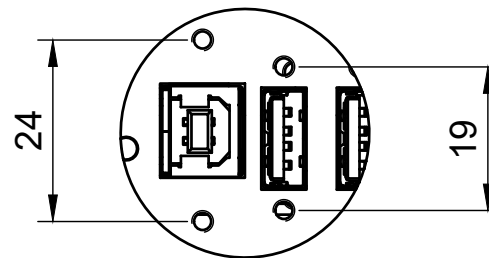
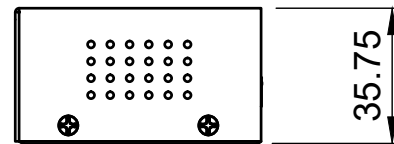
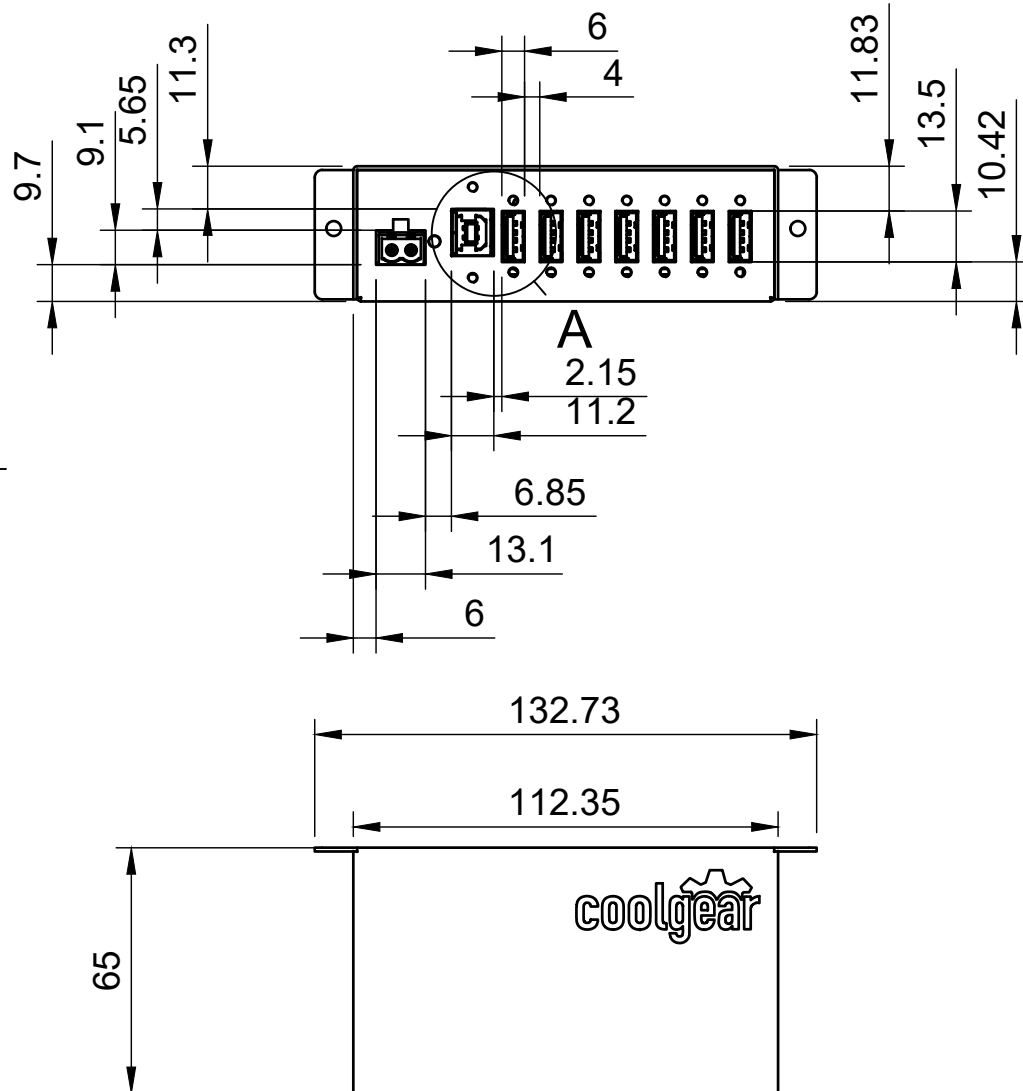
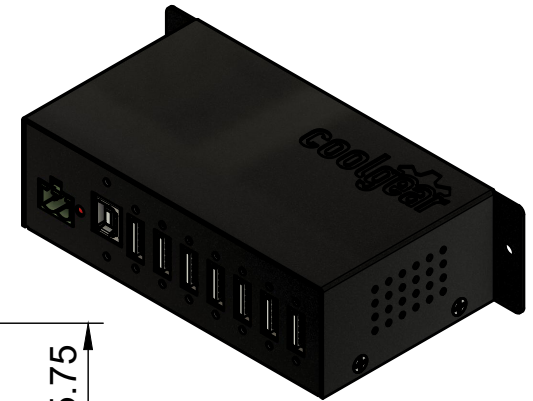



Basic Measurements

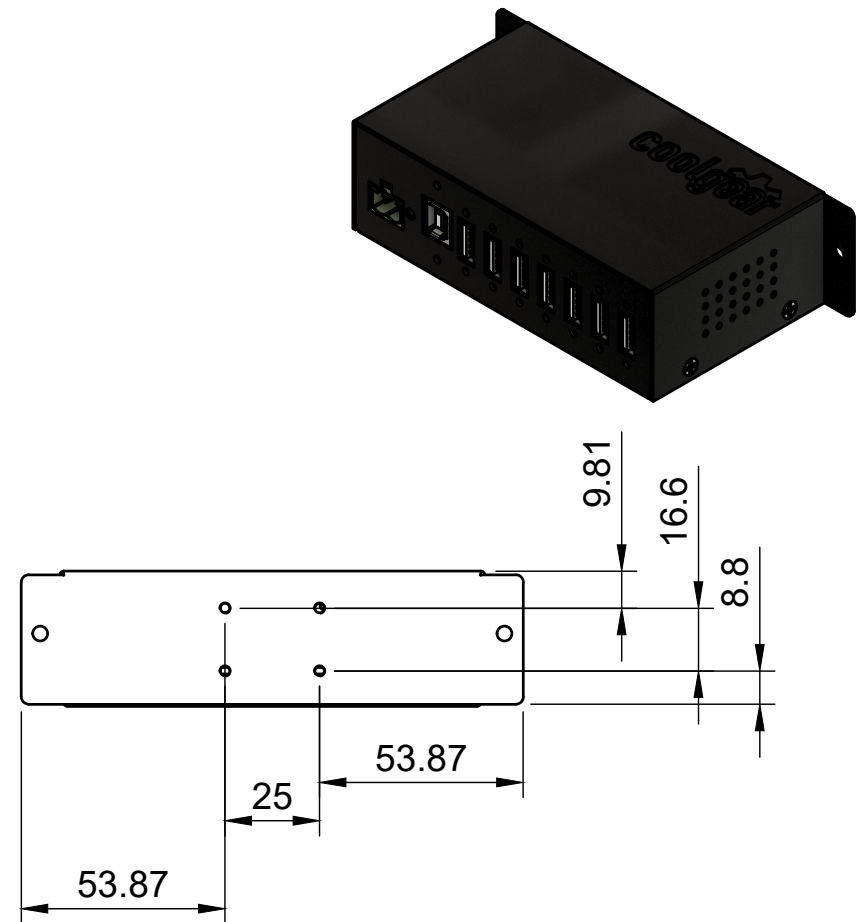
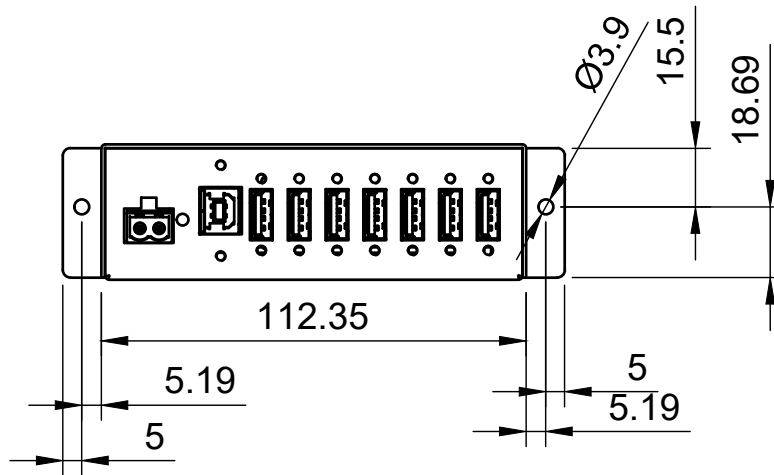



A (1:1)



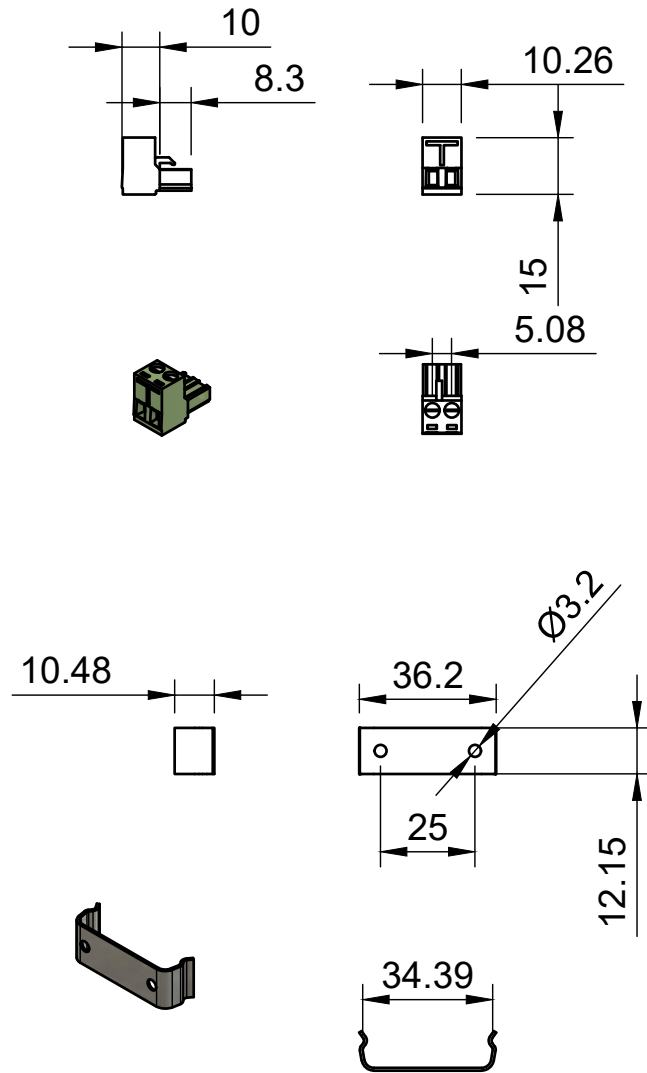
		Model #:	
		USBG-7DU2i	
Drawn by: Leo Pinto		Scale: 1:2	Units: mm
Drawn Date: 4/27/2021		Tolerance: +/- 0.15mm	
Notes:		Contact: support@coolgear.com	
		Web: coolgear.com	
		A4	1/3

Mounting Holes

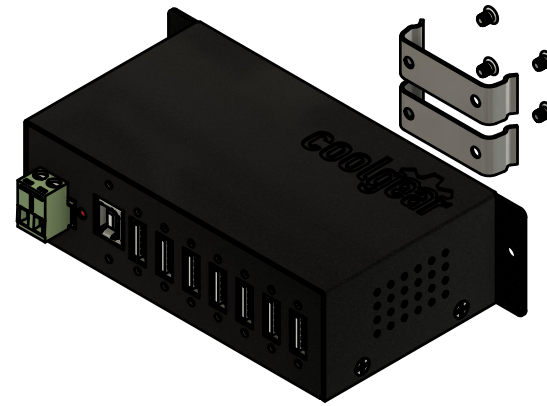



		Model #:	
		USBG-7DU2i	
Drawn by: Leo Pinto	Scale: 1:2	Units: mm	
Drawn Date: 4/27/2021	Tolerance: +/- 0.15mm		
Notes:	Contact: support@coolgear.com		
	Web: coolgear.com		
	A4	2/3	

Accessories



Exploded View



		Model #:	
		USBG-7DU2i	
Drawn by: Leo Pinto		Scale: 1:2	Units: mm
Drawn Date: 4/27/2021		Tolerance: +/- 0.15mm	
Notes:		Contact: support@coolgear.com	
		Web: coolgear.com	
		A4	3/3