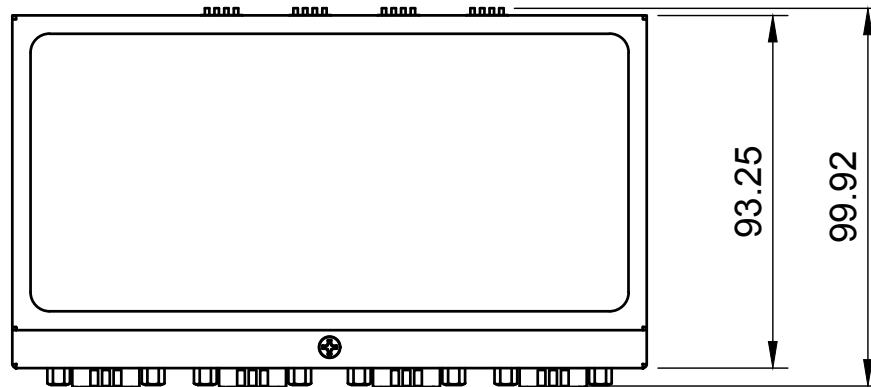
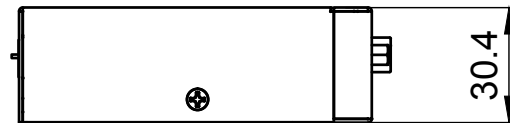
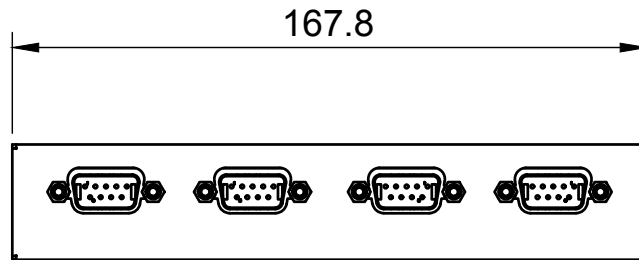

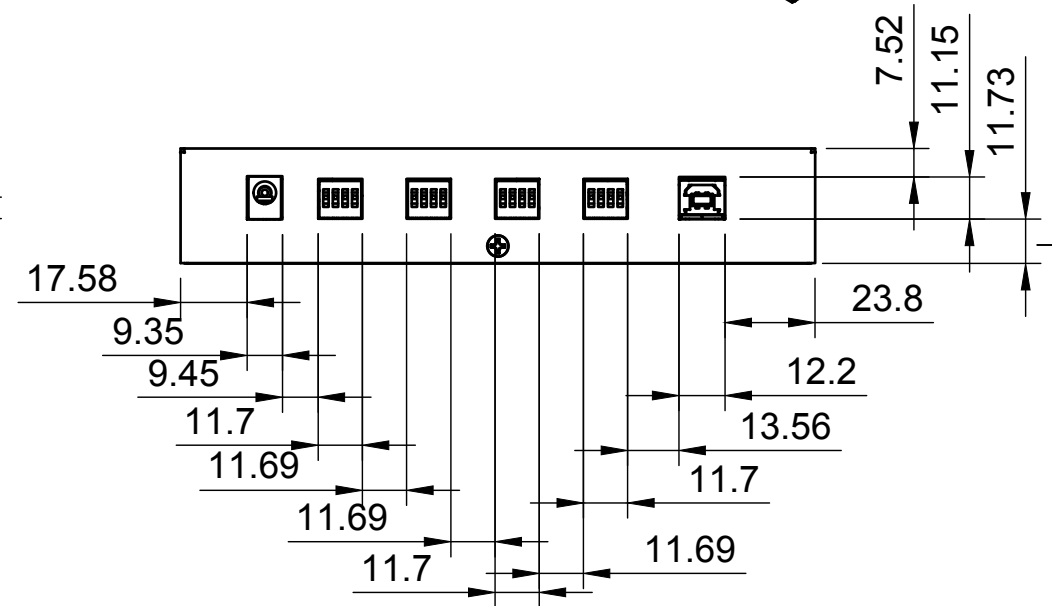
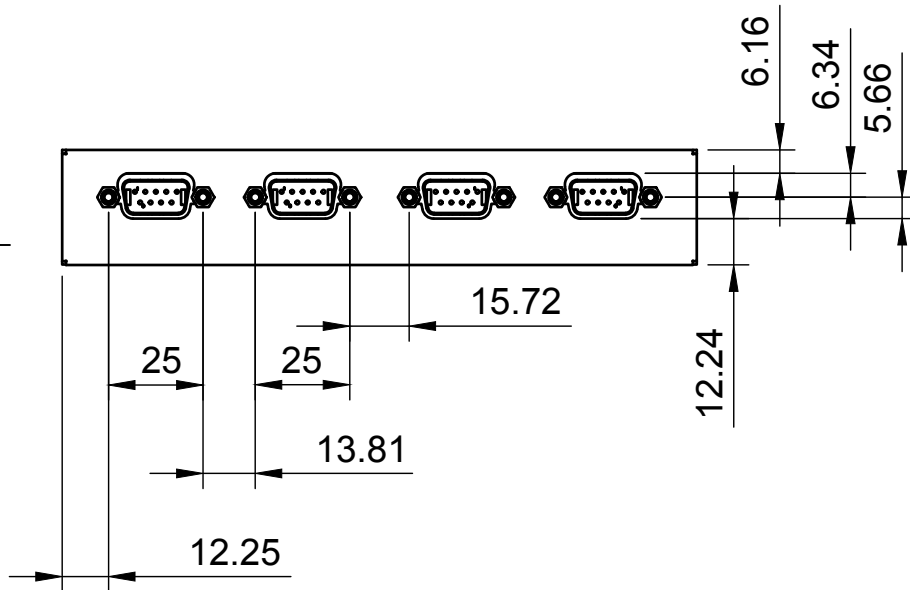
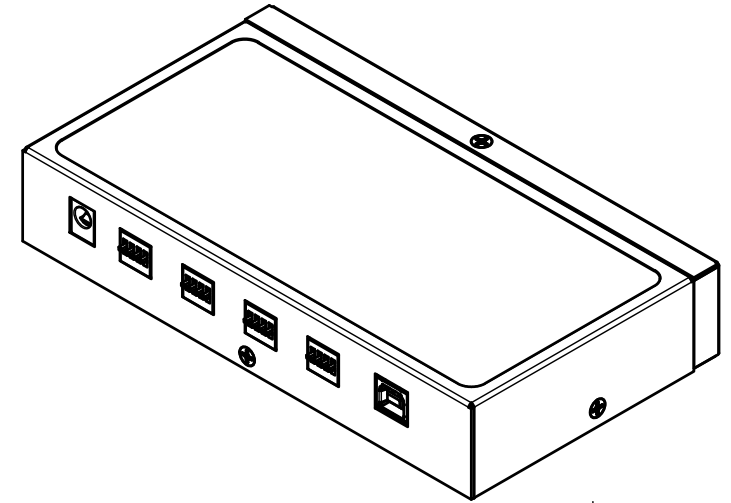



Basic Measurements



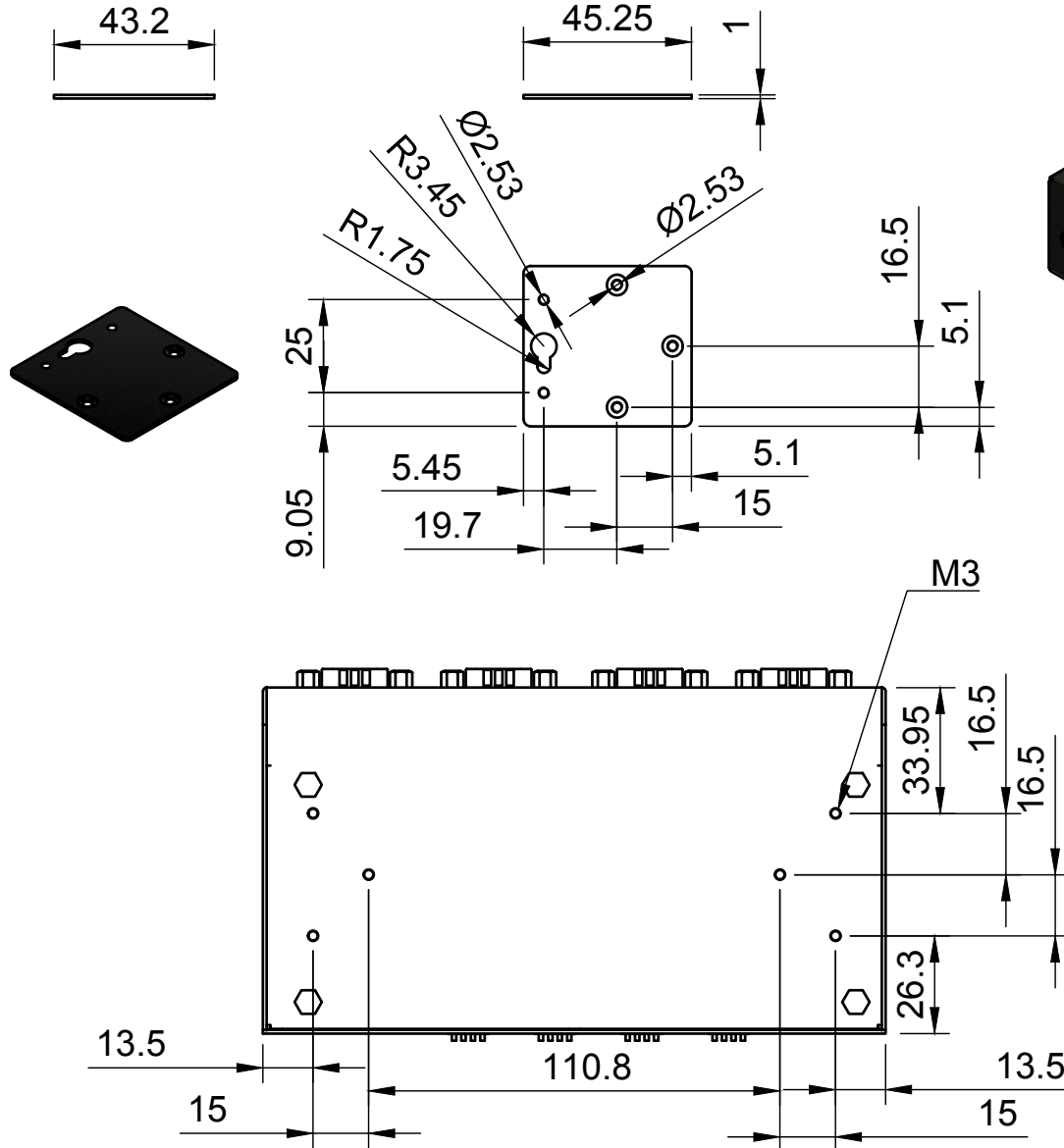
	Model #:	
	USB-4COMi-SI-M	
Drawn by: Leo Pinto	Scale: 1:2	Units: mm
Drawn Date: 8/4/2021	Tolerance: +/- 0.15mm	
Notes:	Contact: support@coolgear.com	
	Web: coolgear.com	
	A4	1/3

Ports Detailed




		Model #:	
		USB-4COMi-SI-M	
Drawn by: Leo Pinto		Scale: 1:2	Units: mm
Drawn Date: 8/4/2021		Tolerance: +/- 0.15mm	
Notes:		Contact: support@coolgear.com	
		Web: coolgear.com	
		A4	2/3

Accessories Mounting Holes



Exploded View



		Model #:	
		USB-4COMi-SI-M	
Drawn by: Leo Pinto		Scale: 1:2	Units: mm
Drawn Date: 8/4/2021		Tolerance: +/- 0.15mm	
Notes:		Contact: support@coolgear.com	
		Web: coolgear.com	
		A4	3/3