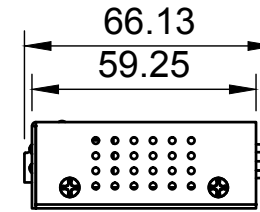
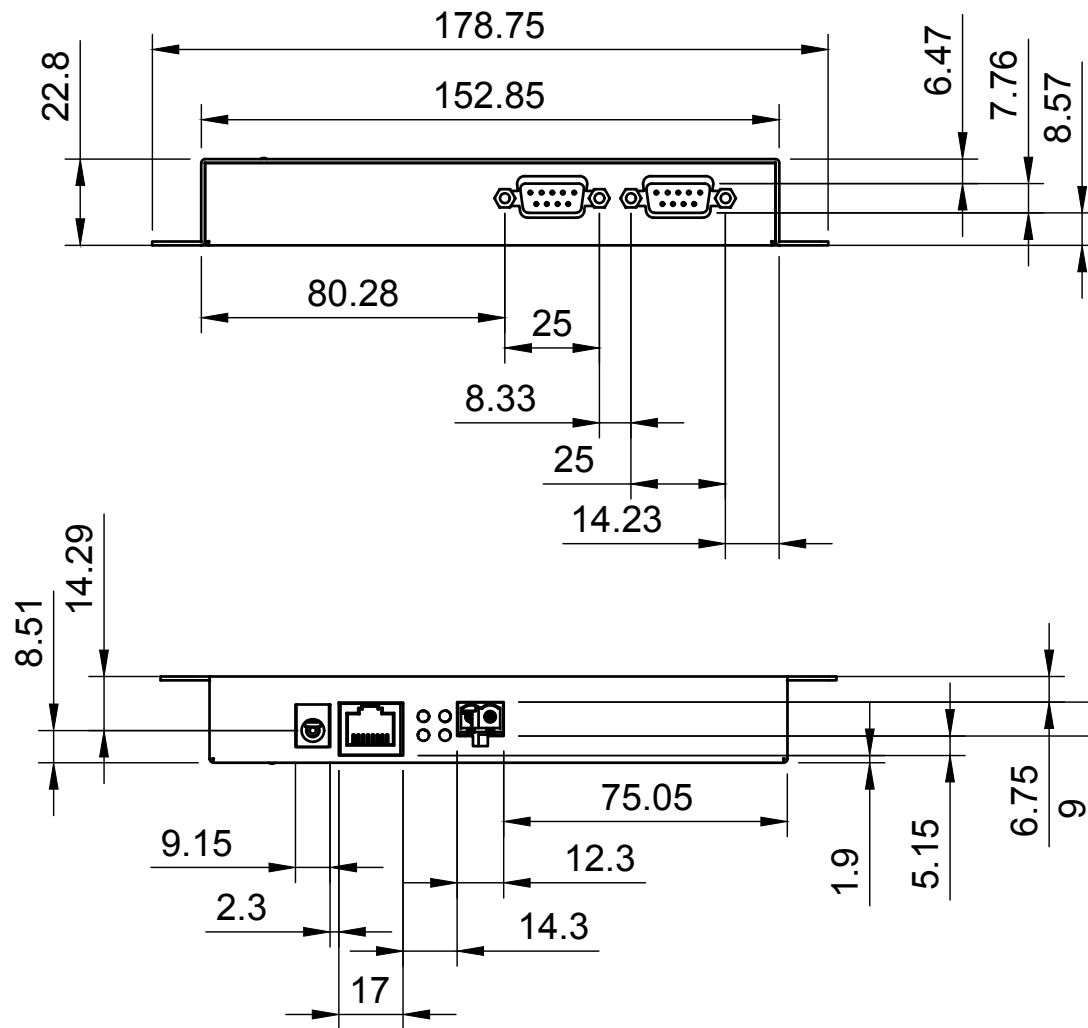

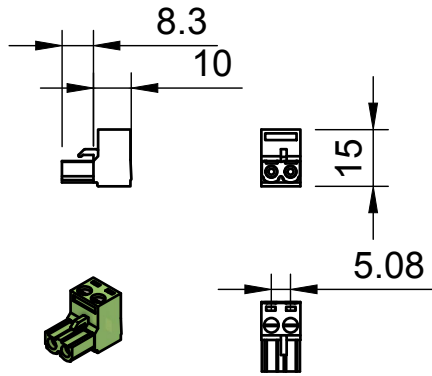


Basic Measurements
Port Detailed

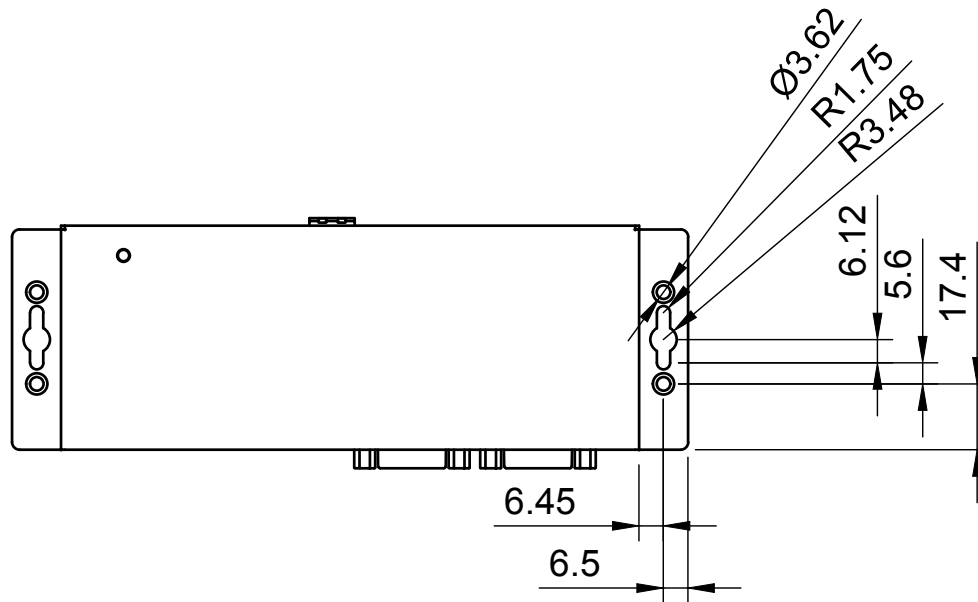



		Model #:	
		MSD-SRP2XM	
Drawn by: Leo Pinto		Scale: 1:2	Units: mm
Drawn Date: 10/13/2021		Tolerance: +/- 0.15mm	
Notes:		Contact: support@coolgear.com	
		Web: coolgear.com	
		A4	1/2

Accessories
Mounting Holes



Exploded View



		Model #:	
		MSD-SRP2XM	
Drawn by: Leo Pinto		Scale: 1:2	Units: mm
Drawn Date: 10/13/2021		Tolerance: +/- 0.15mm	
Notes:		Contact: support@coolgear.com	
		Web: coolgear.com	
		A4	2/2